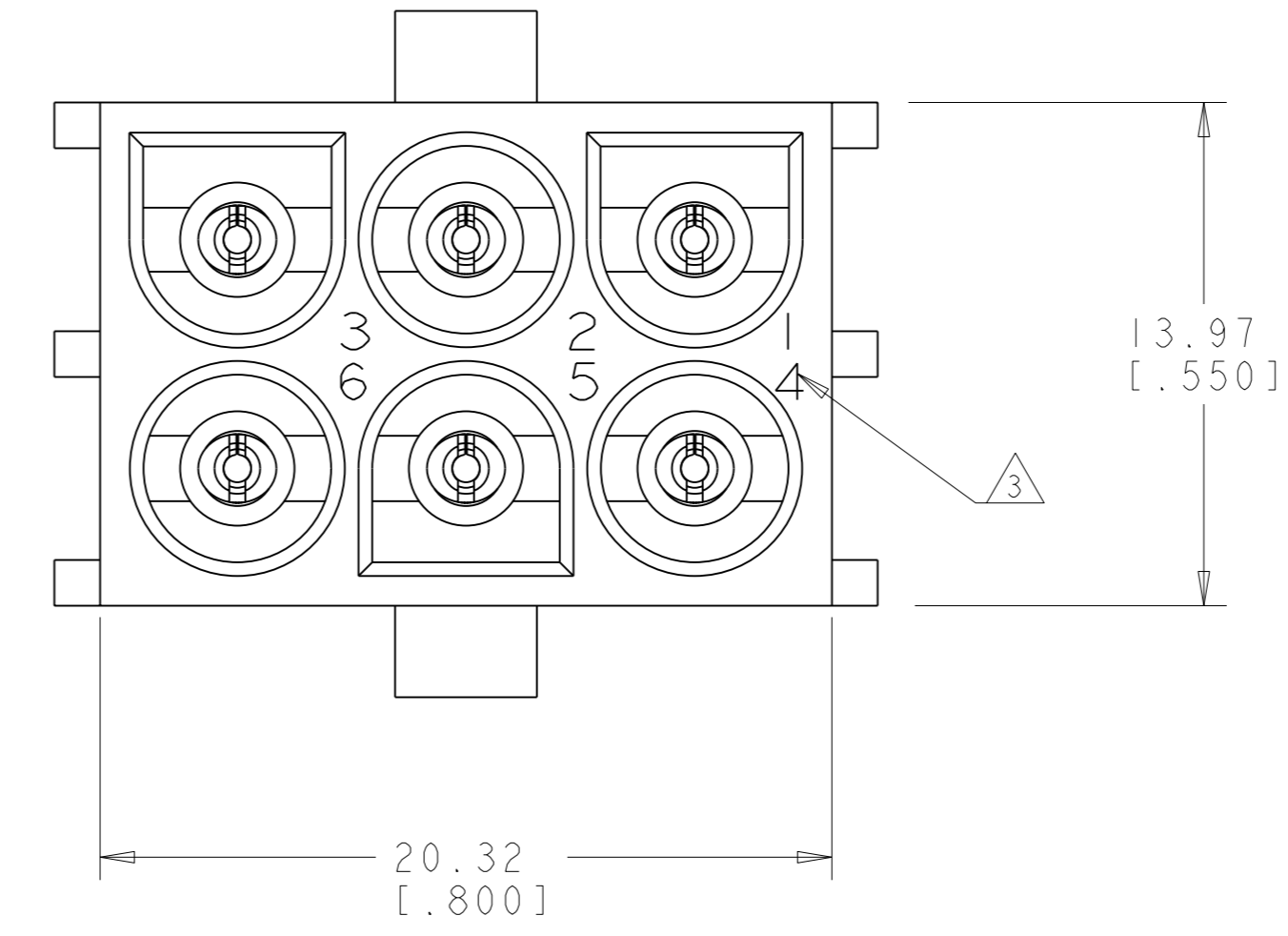
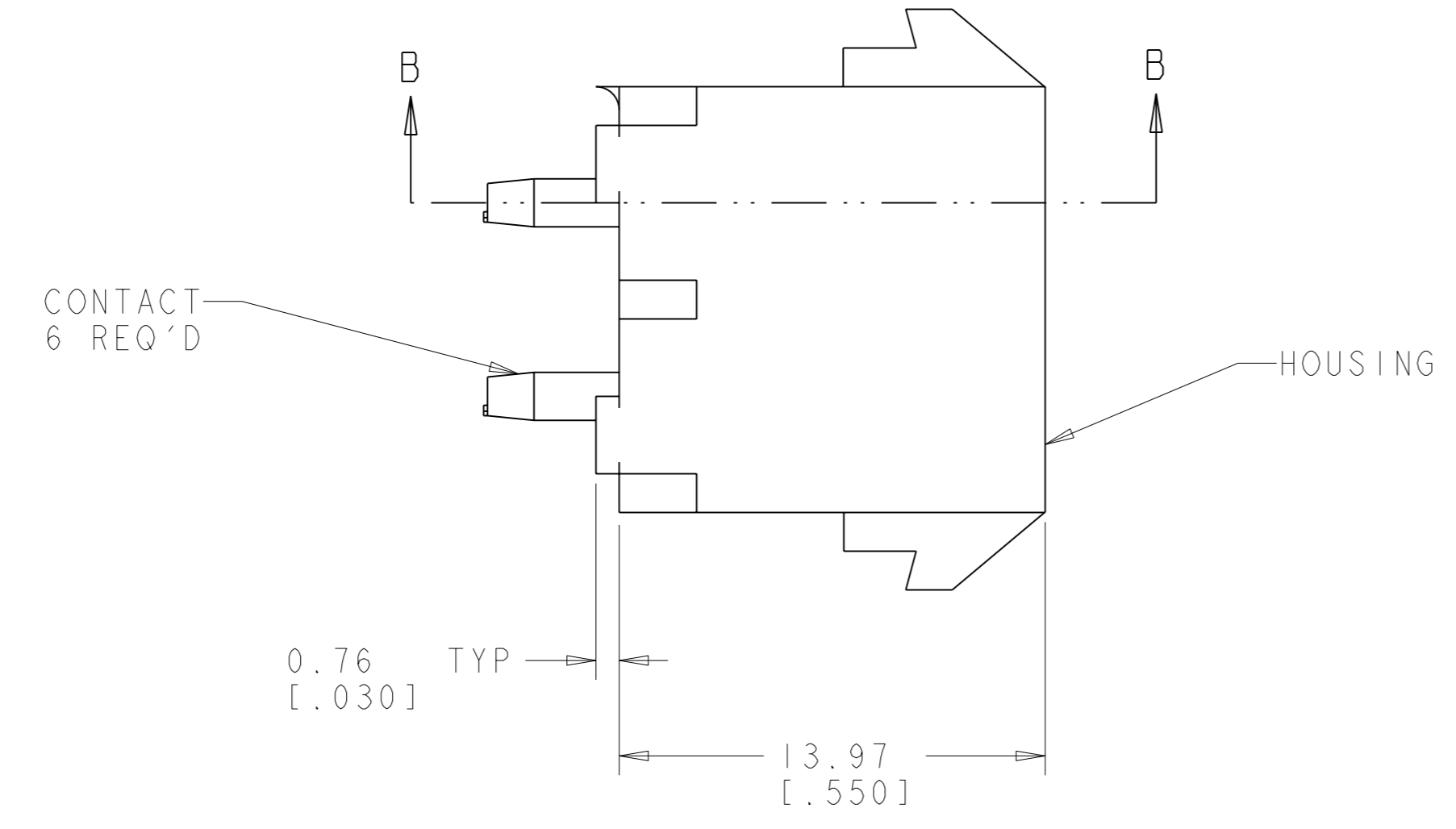
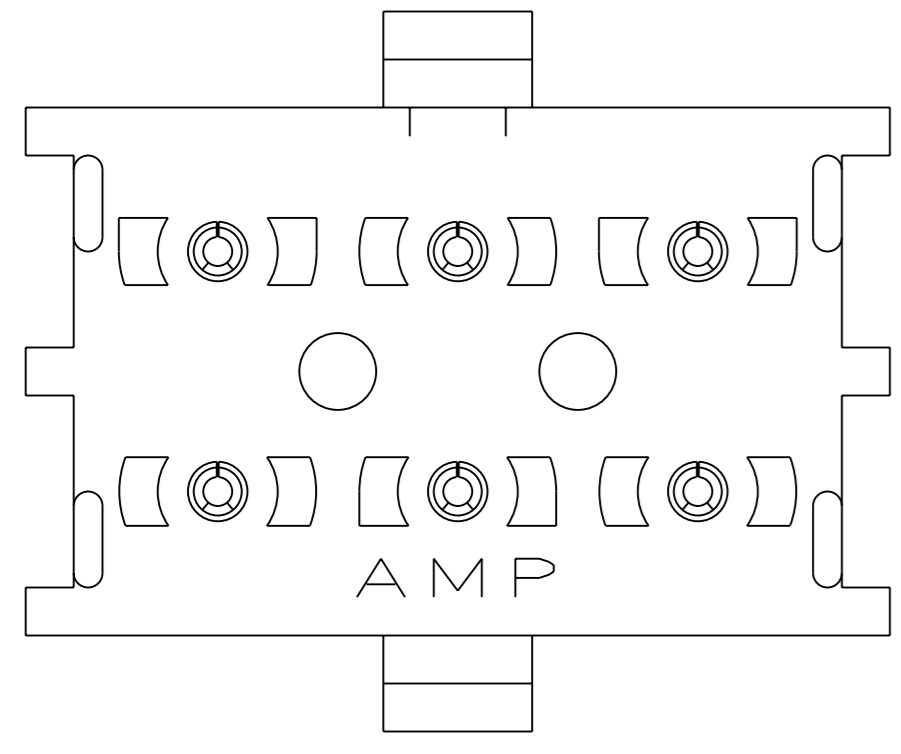
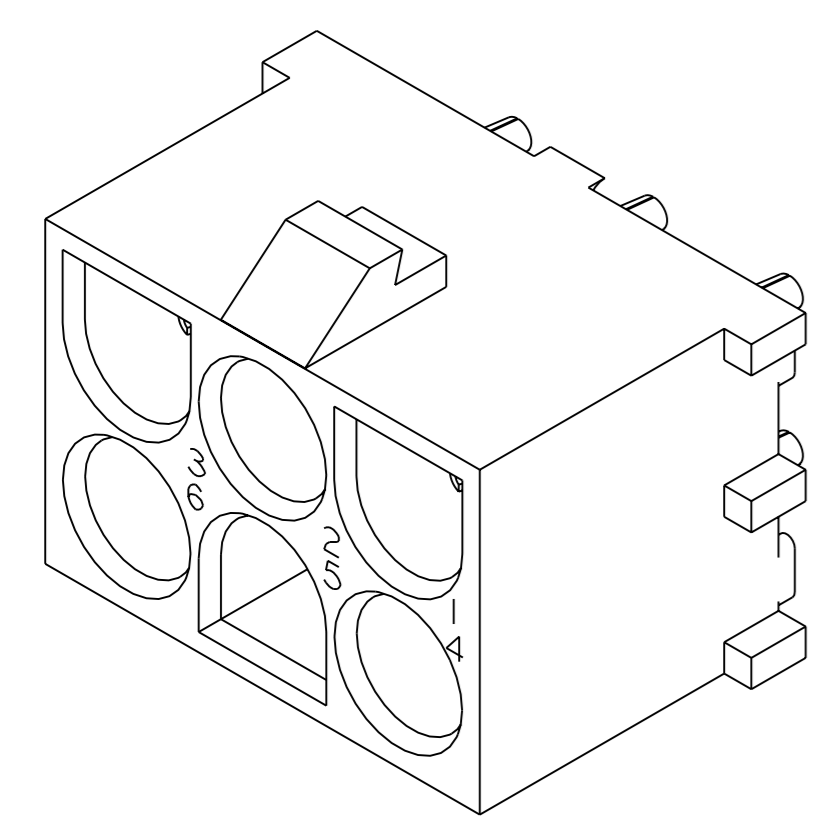
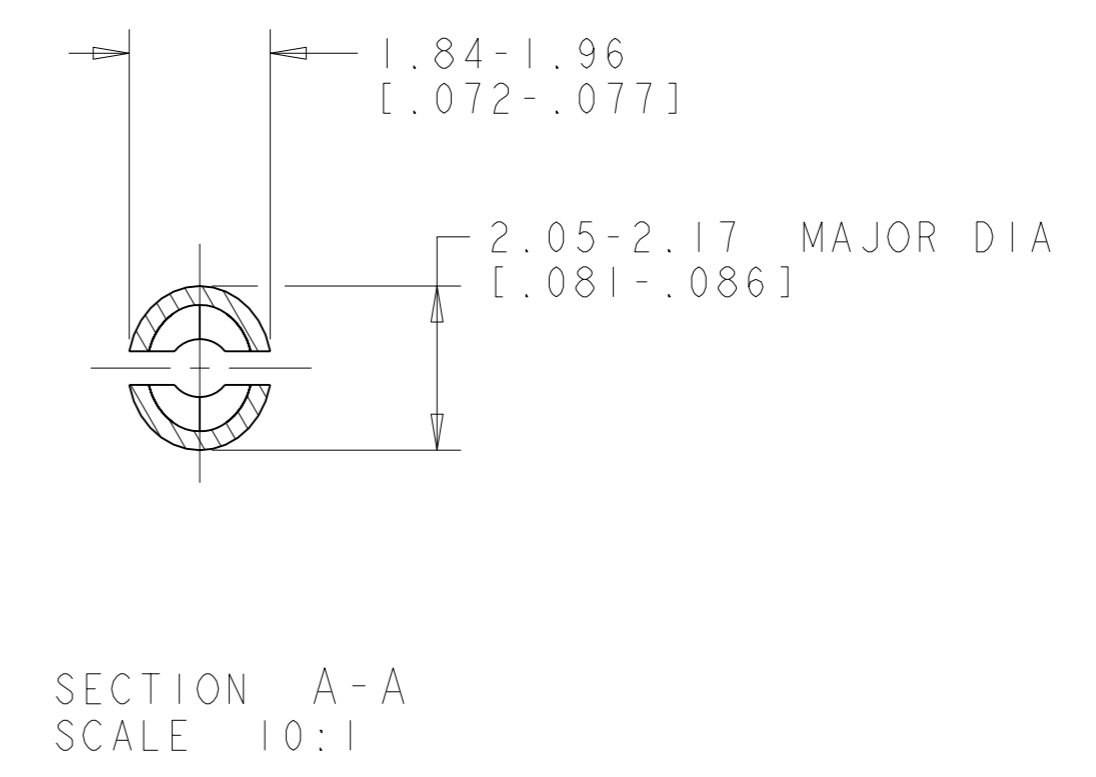
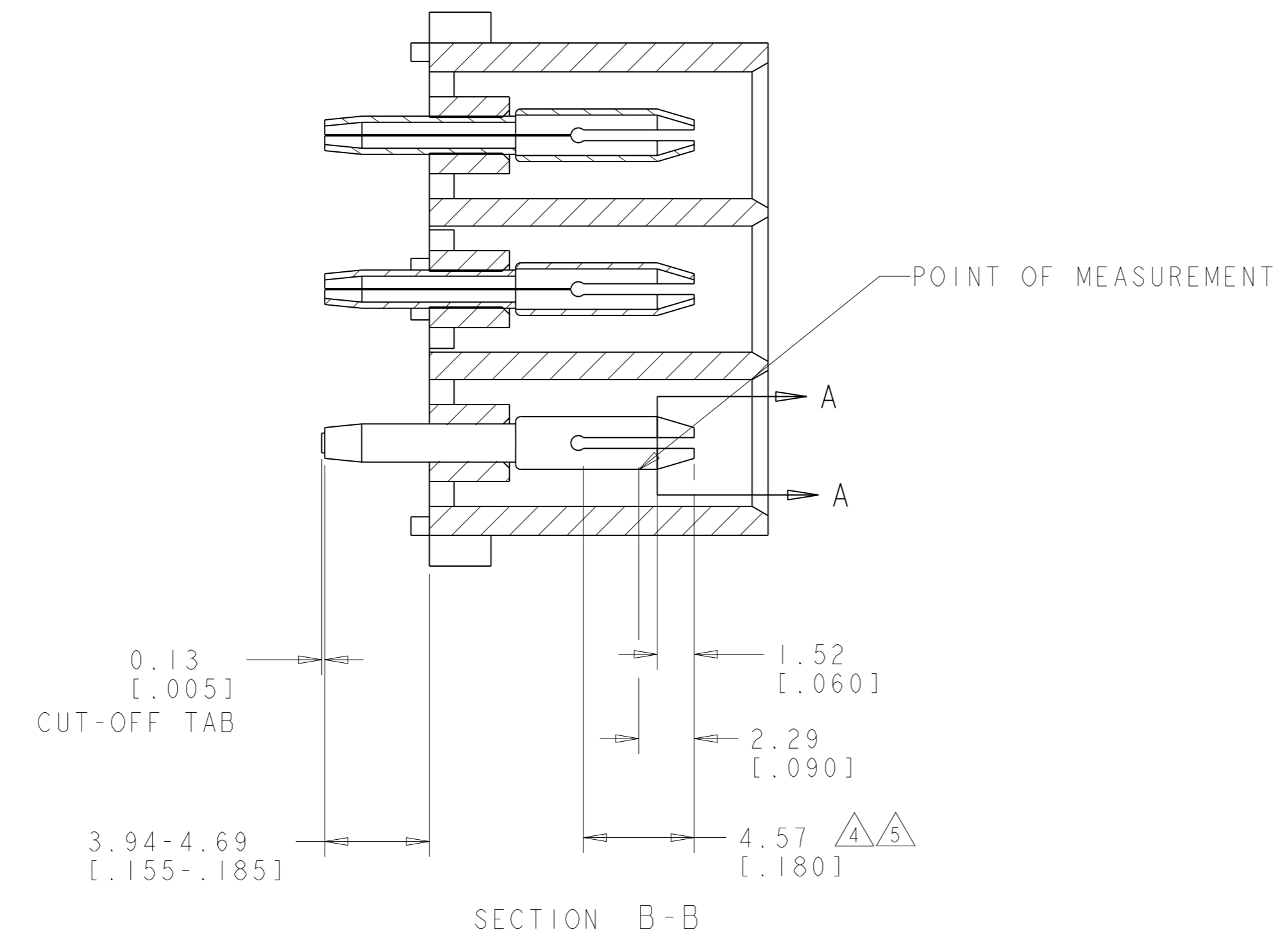


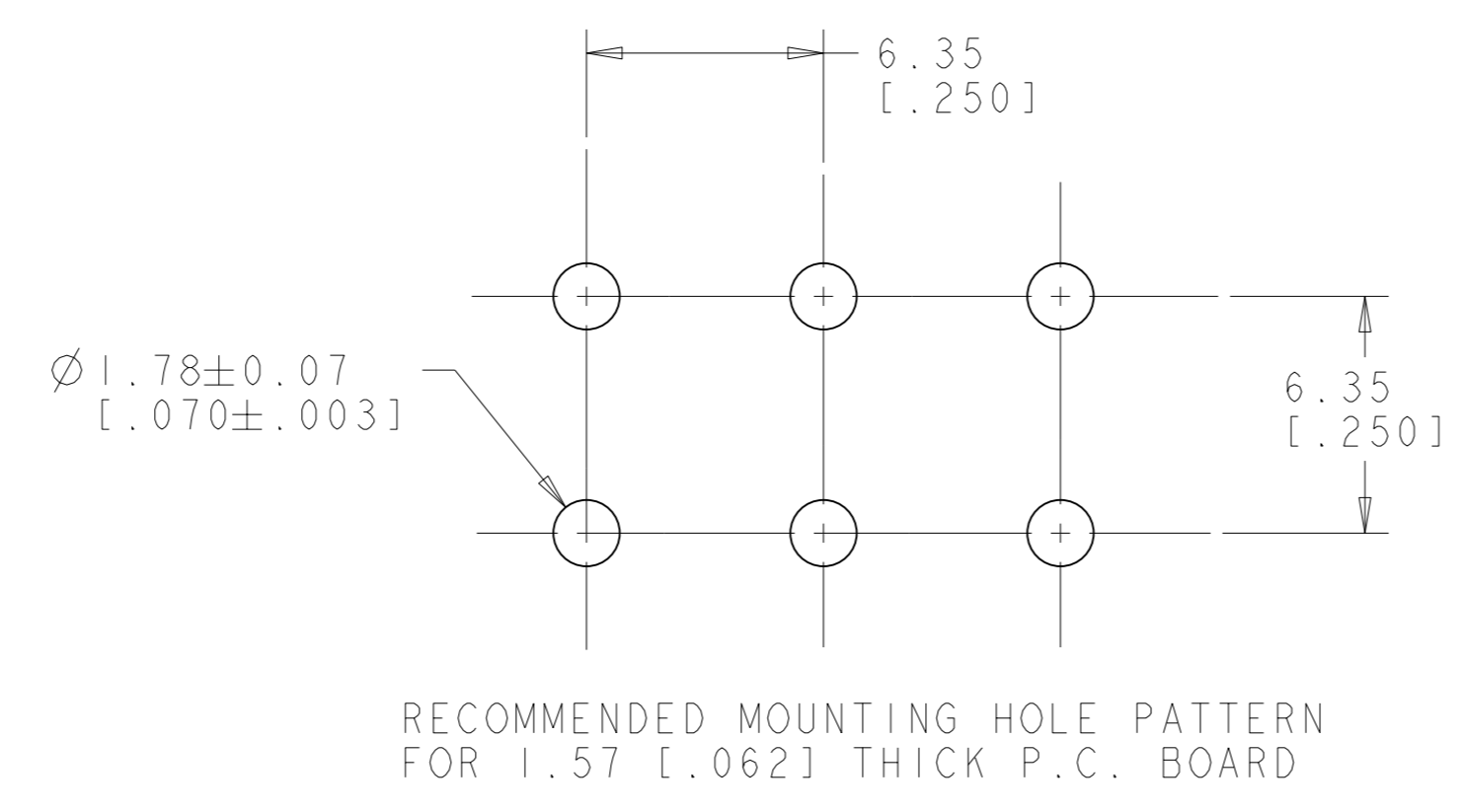
LOC		DIST		REVISIONS			
F	LYR	DESCRIPTION	DATE	DWN	APVD		
	R	REVISED PER 0G3B-1100-04	21JULY05	KW	SR		
	R1	REVISED PER ECO-05-010045	02MARD06	KW	SR		
	R2	REVISED PER ECO-06-004897	03MARD06	KW	SR		



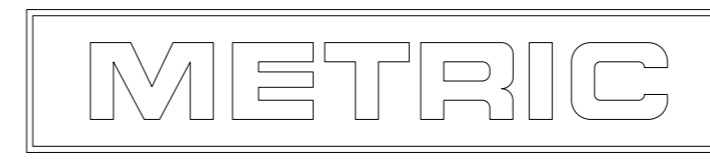
1. PARTS MATE WITH HOUSING 480704.
2. PARTS COMPLY TO AMP SOLDERABILITY SPECIFICATION 109-11-3.
3. CIRCUIT IDENTIFICATION CHARACTERS ARE ADJACENT TO THE INDICATED CAVITIES, BUT LOCATION AND ORIENTATION MAY DIFFER FROM PRINT.
4. CONTACT IS PLATED OVERALL WITH 0.00127 [0.00050] NICKEL, THEN 0.00076 [0.00030] GOLD OVER CONTACT LENGTH INDICATED AND TIN LEAD ON SOLDER TAIL END.
5. CONTACT IS PLATED OVERALL WITH 0.00127 [0.00050] NICKEL, THEN 0.00076 [0.00030] GOLD OVER CONTACT LENGTH INDICATED AND MATTE TIN ON SOLDER TAIL END.
6. DIMENSIONS IN BRACKETS ARE IN INCHES.



3 DIMENSIONAL MODEL  
SCALE 4:1



PHOSPOR BRONZE, GOLD $\Delta$	NYLON, UL94V-0, NATURAL	350711-4
PHOSPOR BRONZE, GOLD $\Delta$	NYLON, UL94V-0, NATURAL	350711-2
PHOSPOR BRONZE, PRE-TIN	NYLON, UL94V-0, NATURAL	350711-1
PIN CONTACT MATERIAL AND FINISH	HOUSING MATERIAL AND COLOR	PART NUMBER



DIMENSIONS: mm [INCHES]		TOLERANCES UNLESS OTHERWISE SPECIFIED:		DWN: K. WHITAKER 18JULY2005		Tyco Electronics Harrisburg, PA 17105-3608	
0 PLC	±	0 PLC	±	CHK: S. RIDGILL 18JULY2005	NAME	PIN HEADER ASSEMBLY, 6 CIRCUIT, UNIVERSAL MATE-N-LOK(TM)	
1 PLC	±	1 PLC	±	APVD: S. RIDGILL 18JULY2005	PRODUCT SPEC	SIZE	CAGE CODE DRAWING NO
2 PLC	±0.13(.005)	2 PLC	±0.13(.005)	APPLICATION SPEC	RESTRICTED TO	A	00779 ©=350711
3 PLC	±	3 PLC	±	WEIGHT	CUSTOMER DRAWING	SCALE	1:1
4 PLC	±	4 PLC	±	ANGLES		SHEET	1 OF 1
						REV	R2